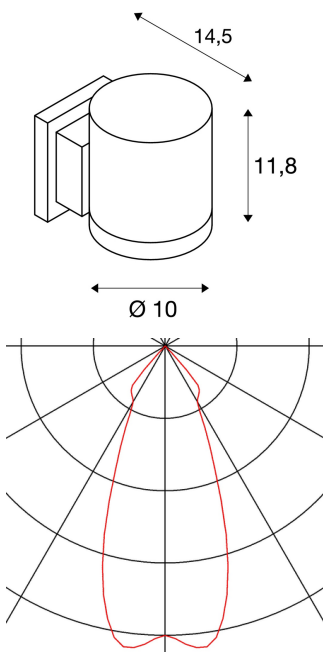




ENOLA_C

outdoor wall light, LED, 3000K, IP55, round, white, Ø/H 10/11.8 cm, 35°

The puristic ENOLA_C wall light consists of a cylindrical aluminium structure, which is fitted with a warm-white, high-performance COB LED. By the incorporated LED driver, the electrical connection of the luminaire available in white and anthracite is made directly to 230V mains supply.



TECHNICAL DATA

Item no.:	228511
Lamps included	0
Number of different light outlets	1
Primary nominal voltage	100-240V ~50/60Hz mA/V
Secondary power / secondary voltage	500 mA/V
Height	11.8 cm
Diameter	10.0 cm
Depth	14.5 cm
Net weight	0.967 kg
Gross weight	1.159 kg
IP Code	IP 55
Safety class	I
Assembly	Surface
Assembly details	Wall
Wattage	12.0 W
Lumen	900 lm
Colour temperature	3000 Kelvin
Beam angle	35 °
Color	white
CRI	>80
LXXBXX data	70/50
Service life	40000 h



Minimum ambient temperature	40 °C
BIG WHITE Page	628

Notes
