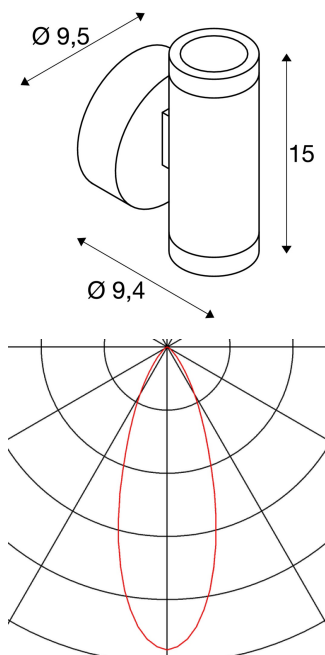




HELIA

outdoor wall light, LED, 3000K, IP55, up/down, white, 2x6W

The puristic HELIA up/down wall light consists of a cylindrical aluminium structure and it fitted with two warm-white high-voltage LEDs. The electrical connection of the luminaire, which comes in white, beige and anthracite, is made directly to the 230V mains supply. With protection class IP55, the floodlight is suitable for outdoor use. This luminaire contains dimmable LED lamps. The lamps in the luminaire cannot be replaced. The HELIA series contains further pendants, wall lights, display lights, path lights and floor stands, and as such can be used universally.



TECHNICAL DATA

Item no.:	233231
Number of different light outlets	2
Primary nominal voltage	220-240V ~50/60Hz mA/V
Width	9.5 cm
Height	15.0 cm
Depth	9.4 cm
Net weight	0.697 kg
Gross weight	0.854 kg
IP Code	IP 55
Safety class	I
Assembly	Surface
Assembly details	Wall
Wattage	12.0 W
Lumen	700 lm
Colour temperature	3000 Kelvin
Beam angle	38 °
Color	white
CRI	>80
LXXBXX data	70/50
Service life	30000 h
BIG WHITE Page	653



Accessories

1002853	Spacer set for outdoor wall-mounted lights anthracite
---------	---

Notes
