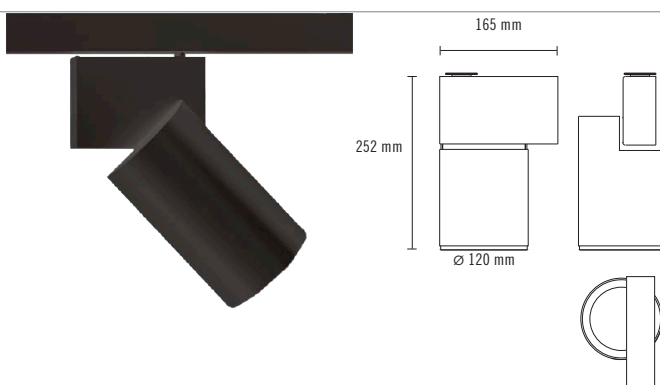




NEXIA

BCN 120

Aluminum LED projector with three-phase rail adapter or base to the ceiling.



Colour	CRI / Temp.	Angle	Led	Regulation	Class
0 White	G 827	1 15°	2 1500 lm / 12 W	D Dali	I
1 Black	C 830	3 36°	3 2000 lm / 17,5 W		
2 Grey	N 840	6 60°	4 3000 lm / 25 W		
P Aluminum	H 927		5 4000 lm / 33 W		
	E 930		6 5000 lm / 37 W*		
	F 940		7 6000 lm / 43 W*		

1530 g 90° 355° 1 20 IP CRI=80/90 2-SDCM 50.000h 230V DRIVER <5% LED Track adaptor

*Only available for colour temperature 830 and 840.

ACCESSORIES

06595 - SCULPTURE LENS

06596 - HONEYCOMB

06597 - FRONT RING

Colour

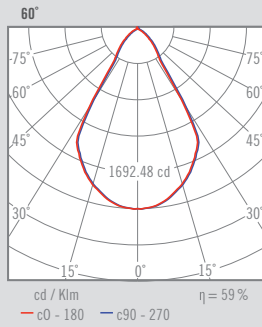
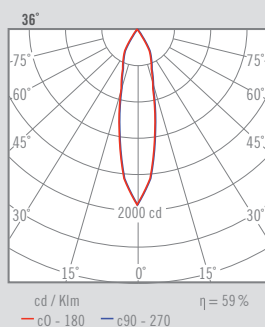
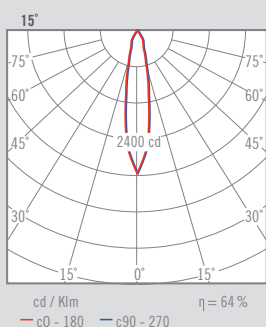
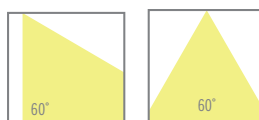
0	White
1	Black
A	Copper
D	Gold
R	Red

DESCRIPTION

Possibility of customization in any RAL colour (for painting). Electrolytic coating as special finish under request. Accessories: Honeycomb, sculpture lens and optical filters.

INSTALLATION

Installation of the support piece to the ceiling or wall with 2 screws. The projector is fixed without any tools required. Ready to be installed in universal tracks (3 switches).



QUALITY CERTIFICATES :

Zhaga

CE ROHS

eco rae