

REET AR 190



Mechanical data:

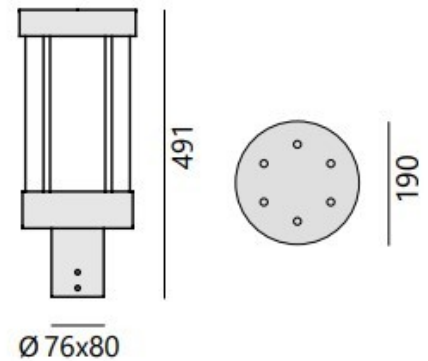
Mounting: on the pole $\varnothing 76 \times 80$
Luminaire body: aluminum
Power supply: inside the luminaire

Optical data:

Light distribution: symmetrical
Lighting: direct
Contains light source: yes
Type of source: LED
Wiring: standard

Other data:

Available on request: DALI, 2700K, 6500K, CRI>90
Application: for illumination of recreational areas,
pedestrian routes, parking lots



Park luminaire for illumination of recreational areas, pedestrian routes, parking lots. The luminaire is available as a separate head to be installed on any pole with a 76/80 mm ending. Diffuser is made of PMMA. Precisely selected optic used to optimize the light distribution.



cold white 03 matt light grey 06 matt grey 07 matt grey graphite 80 matt anthracite 70 matt black 05 matt

C - colour

*The luminaire does not include a pole.

The pole can be purchased separate.

Catalogue code	Light source	Luminaire light flux	Power	Color temperature	Weight	Dimensions	Box dimensions
9044.193.C	LED	2171lm	20W	3000K	8,5kg	Ø 190mm, H=491mm	510x210x210mm

Accessories

connector IP68

catalogue code 124.00

