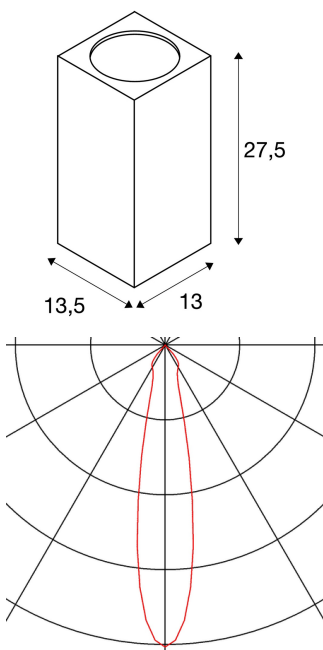




## BIG THEO WALL

outdoor wall light, double-headed, LED, 3000K, flood up/down, white, W/H/D 13/27.5/13.5 cm

The BIG THEO WALL flood up/down LED wall light is made of aluminium and glass. Thanks to the position of the two built-in LEDs, the mounted luminaire produces two equal, but opposite, cones of light (UP/DOWN). It is suitable for use outdoors thanks to its IP44 protection class. Thanks to the built-in LED driver, the electrical connection of the luminaire, which comes in several colour versions, is made directly to the 230V mains supply. In addition, the BIG THEO series includes wall and ceiling lights and is therefore universally deployable. This luminaire includes built-in LED lamps.



## TECHNICAL DATA

Item no.:	234501
Lamps included	0
Number of different light outlets	2
Primary nominal voltage	100-240V ~50/60Hz mA/V
Secondary power / secondary voltage	1000 mA/V
Width	13.0 cm
Height	27.5 cm
Depth	13.5 cm
Net weight	2.333 kg
Gross weight	2.501 kg
IP Code	IP 44
Safety class	I
Impact resistance class	IK02
Impact resistance	0,200000000000000001 Joule
Assembly	Surface
Assembly details	Wall
Wattage	42.0 W
Lumen	4000 lm
Colour temperature	3000 Kelvin
Beam angle	24 °
Color	white
CRI	>80



Binning	6
LXXBXX data	70/50
Service life	30000 h
BIG WHITE Page	666

**Notes**

---

---

---

---

---