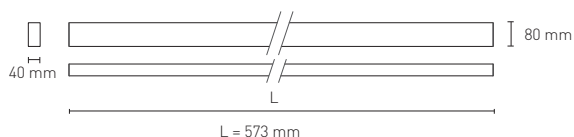




NEXIA

INFINITY TRIMLESS

Aluminum extruded trimless LED luminaire is equipped with opal cover.



16102 -		Colour	CRI / Temp.	Led	Dimming	Class
0	White	C	830	L	Low Output: 1660 lm / 12,5 W	D
1	Black	N	840	H	High Output: 3050 lm / 23 W	I
2	Grey					

1050 g	1	IP 20	CRI=80	50.000 h	230 V	DRIVER	LED	SMD	110°	Opal diffuser
--------	---	-------	--------	----------	-------	--------	-----	-----	------	---------------

DESCRIPTION

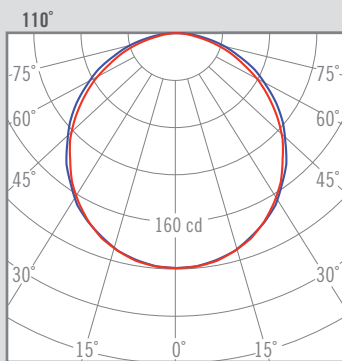
Aluminum extruded trimless LED luminaire is equipped with opal cover and is available in following options: recessed, suspended and surface-mounted.

For DOWN version no accessories are required.

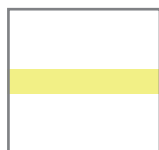
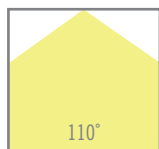
See accessories on page 2.

INSTALLATION

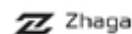
For DOWN version no accessories are required. For the suspended and recessed versions see accessories on page 2.



cd / Kl_m η = 55%
 — c0 - 180 — c90 - 270



QUALITY CERTIFICATES :



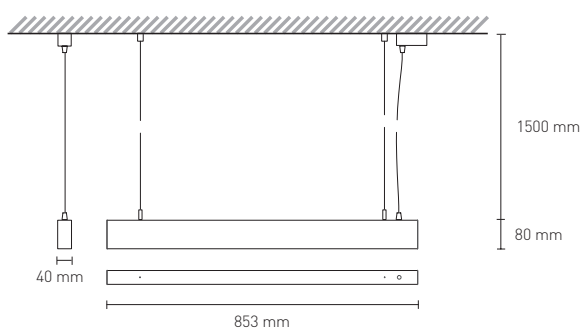


NEXIA

ACCESSORIES INFINITY TRIMLESS

SUSPENSION

TRIMLESS-AIR



17935 - INFINITY SUSPENSION WIRE 1500 mm (2 ud.)

17936 - INFINITY SUSPENSION WIRE 2500 mm (2 ud.)



17941 - BASE INFINITY 1500 mm 3 wires

17942 - BASE INFINITY 1500 mm 5 wires

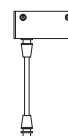
17943 - BASE INFINITY 2500 mm 3 wires

17944 - BASE INFINITY 2500 mm 5 wires

Colour

0	White
1	Black
2	Grey

35 mm



40 mm



80 mm

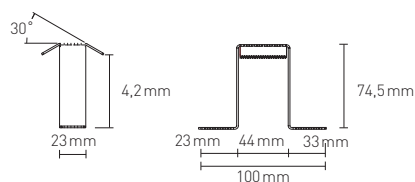
ACCESSORIES INFINITY TRIMLESS

RECESSED



17981 - ACCESSORIES FOR RECESSED VERSION

Required units for recessed versions	2 ud.	3 ud.	4 ud.
16102 / 16112 - 573 x 40mm	x		
16103 / 16113 - 853 x 40mm	x		
16104 / 16114 - 1133 x 40mm	x		
16105 / 16115 - 1413 x 40mm		x	
16106 / 16116 - 1693 x 40mm		x	
16107 / 16117 - 1973 x 40mm		x	
16109 / 16119 - 2533 x 40mm			x
16110 / 16120 - 2813 x 40mm			x



QUALITY CERTIFICATES :

