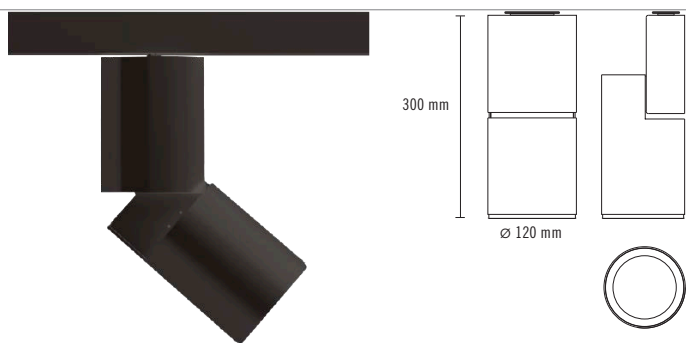




# NEXIA

## BCN 120

Aluminum LED spotlight with three-phase rail adapter or base to the ceiling.



06535 -		Colour	CRI / Temp.	Angle	Led	Regulation	Class
0	White	G	827	1 15°	2 1500 lm / 12 W	D Dali	I
1	Black	C	830	3 36°	3 2000 lm / 17,5 W		
2	Grey	N	840	6 60°	4 3000 lm / 25 W		
P	Aluminum	H	927		5 4000 lm / 33 W		
		E	930		6 5000 lm / 37 W*		
		F	940		7 6000 lm / 43 W*		

1590 g 90° 355° 1 IP 20 CRI=80/90 2-SDCM 50.000 h 230 V DRIVER <5% LED Track adaptor

\*Only available for colour temperature 830 and 840.

### DESCRIPTION

Possibility of customization in any RAL colour (for painting). Electrolytic coating as special finish under request.

Accessories: Honeycomb, sculpture lens and optical filters.

### INSTALLATION

Installation of the support piece to the ceiling or wall with 2 screws. The projector is fixed without any tool required. Ready to be installed in universal tracks (3 switches).

### ACCESSORIES

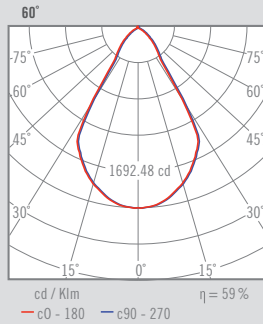
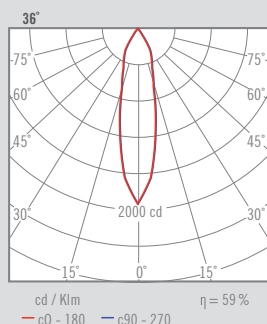
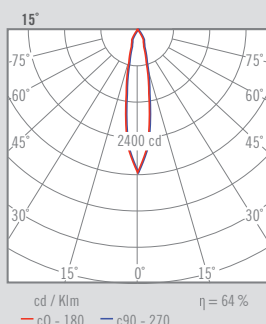
06595 - SCULPTURE LENS

06596 - HONEYCOMB

06597 - FRONT RING

#### Colour

0	White
1	Black
A	Copper
D	Gold
R	Red



QUALITY CERTIFICATES :

Zhaga

CE ROHS

eco rae